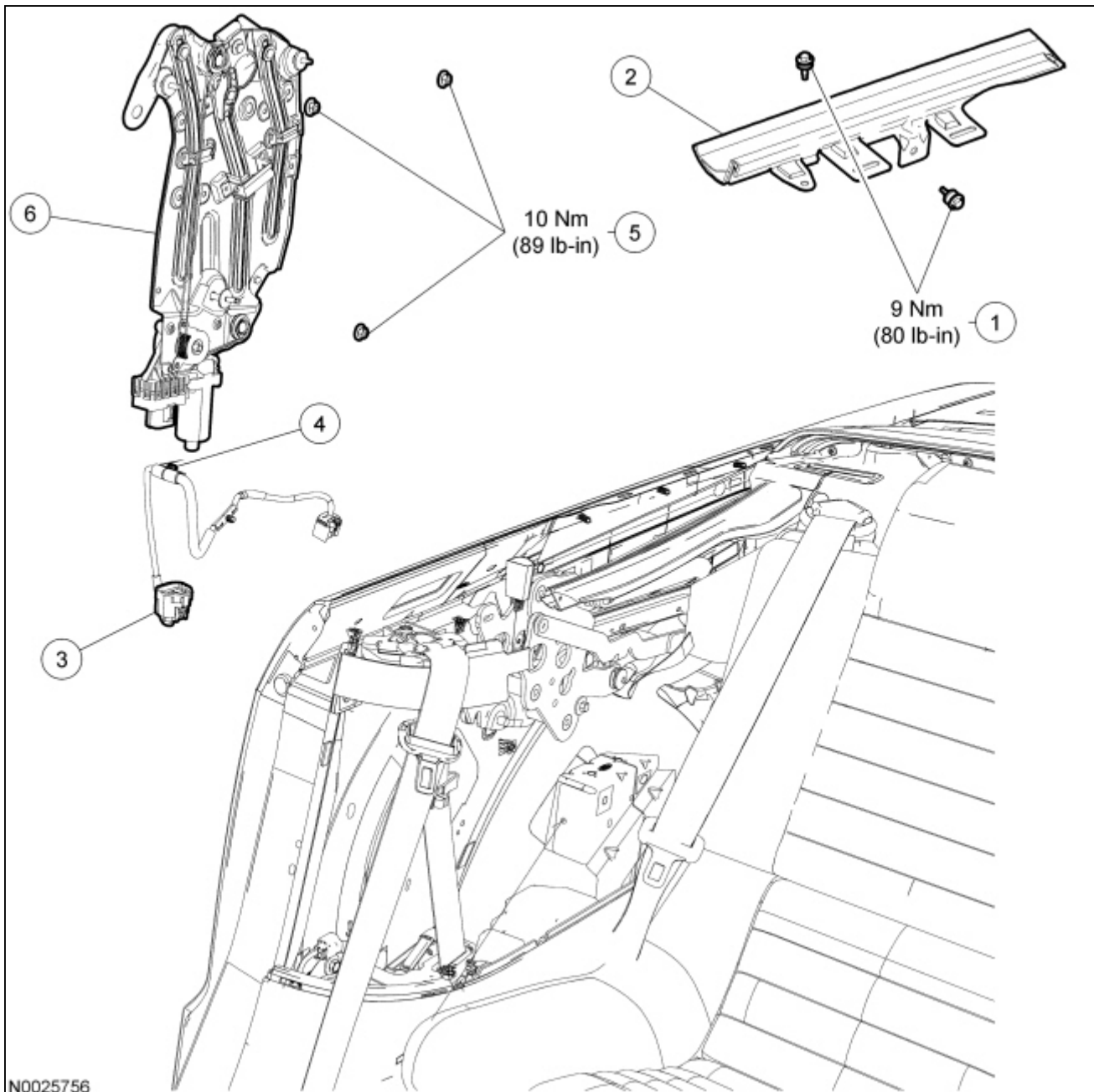


Window Regulator Motor — Rear Quarter



N0025756

Item	Part Number	Description
1	W505424	Rear quarter window inner belt weatherstrip bolts (2 required)
2	76297B06 RH/ 76297B07 LH	Rear quarter window inner belt weatherstrip
3	—	Rear quarter window motor electrical connector (part of 14A017)
4	—	Rear quarter window regulator and motor harness locator (part of 14A017)
5	N621906	Rear quarter window regulator and motor nuts (3 required)
6	76304306 RH/	Rear quarter window regulator and motor

Removal and Installation

1. Remove the rear quarter window glass. For additional information, refer to [Window Glass — Rear Quarter, Convertible](#) in this section.
2. Remove the 2 bolts and the rear quarter window inner belt weatherstrip.
 - To install, tighten to 9 Nm (80 lb-in).
3. Disconnect the electrical connector from the rear quarter window motor.
4. Remove the harness locator from the rear quarter window regulator and motor assembly.
5. **NOTE:** Make certain not to disturb the jackscrews when removing the rear quarter window regulator and motor assembly nuts.

Remove the 3 nuts and the rear quarter window regulator and motor assembly.

- To install, tighten to 10 Nm (89 lb-in).
6. To install, reverse the removal procedure.
 - Adjust the quarter window glass as necessary. For additional information, refer to [Window Glass Adjustment — Rear Quarter, Convertible](#) in this section.
-